

NEW RDMT-ML insert for Aerospace tooling

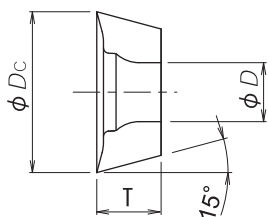
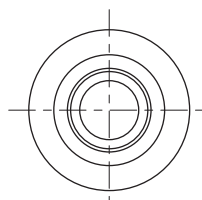


- Adopted tough grade "JC8050" and chip breaker with high rake angle.
- Possible to **high efficient machining for turbine blade and aircraft parts.**
- Apply for stainless steel and Ti-alloy.

With chip breaker

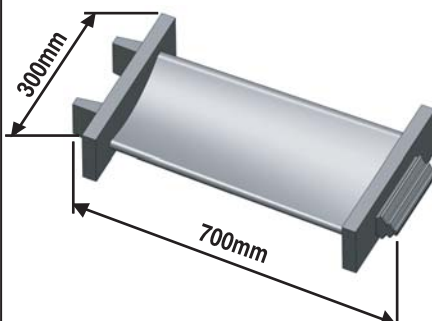
R Honing

For stainless & Ti alloy



■ Cutting data

Gauge length: 200mm



Result
DIJET reduced the cutting force and showed less chatter than competitor H. And DIJET finished the entire job by one tool in 100min.

Work	Part name	Turbine blade
	Material	Ti-6Al-4V
	Hardness	—
Tool	Tool No.	HDM-5200-75R-12 ($\phi 50.8$)
	Insert No.(Grade)	RDMT1204MOE-ML (JC8050)
Cutting conditions	n, V_c	315 (min^{-1}), 44.3 (m/min)
	V_f	458 (mm/min)
	a_p	0.8mm
	a_e	—
	Coolant	Water soluble
Machine	Vertical MC	

Cat. No.	Tolerance	Coated	Dimensions (mm)		
		NEW JC8050	ϕD_c	T	ϕD
RDMT1004MOE-ML	M	●	10	4.1	4.4
RDMT1204MOE-ML	M	●	12	4.8	4.4

10 inserts per case.



DIJET INDUSTRIAL CO., LTD.

Headquarters 2-1-18, Kami-Higashi, Hirano-ku, Osaka 547-0002, Japan Phone: 81-6-6791-6781 Fax: 81-6-6793-1221



DIJET INDUSTRIAL CO., LTD. (Europe)

Unit 2 Mundells Court, Welwyn Garden City, Herts AL7 1EN, England
Phone. 44-1707-325444 Fax. 44-1707-330197

DIJET INDUSTRIAL CO., LTD. (Bangkok Representative Office)

699 Srinakarindr Road, Modernform Tower 15th Floor, Kweang Suanluang
Khet Suanluang, Bangkok 10250, Thailand
Phone. 66-2-722-8258, 8259 Fax. 66-2-722-8260

DIJET INDUSTRIAL CO., LTD. (Shanghai Representative Office)

Room No.1007 Tomson Commercial Building., 710 Dongfang Rd.,
Shanghai 200122, China
Phone. 86-21-5058-1698 Fax. 86-21-5058-1699

DIJET INDUSTRIAL CO., LTD. (Guandong Representative Office)

Rm. 1J2F, A Building, Lotus Plaza, Xianxidadao Road, Changan Town,
Dongguan City, Guangdong Province, 523850 P. R., CHINA
Phone. 86-769-8188-6001, 6002 Fax. 86-769-8188-6608

DIJET INDUSTRIAL CO., LTD. (Mumbai Representative Office)

322, ARCEDIA
Hiranandani Estate, Patlipada, G.B. Road,
Thane (W), Mumbai 400 607, India
Phone. 91-22-4012-1231 Fax. 91-22-4024-0919

DIJET Incorporated (U.S.A.)

45807 Helm Street, Plymouth, MI 48170 U.S.A.
Phone. 1-734-454-9100 Fax. 1-734-454-9395

WEB SITE

www.dijet.com

JAPANESE
WEB SITE

www.dijet.co.jp



WARNING:

- Grinding produces hazardous dust. To avoid adverse health, use adequate ventilation and read Material Safety Data Sheet first.
- Cutting tools may fragment in use. Wear eye protection in the vicinity of their operation.

● Specification shall be changed without notice.